

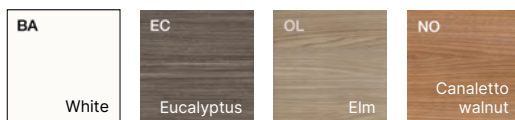
X7
design office



MELAMINE TOPS FOR DESKS, MEETING & BOARDROOM TABLES

18mm easy to clean scratch-resistant anti-reflective melamine faced chipboard (MFC) floating top. 10mm high chamfered edges finished with 1mm impact resistant matching Abs. Both ends feature 10mm high 5mm thick polished aluminium trims recessed into the desk surface. Panel density: 670/730 kgs per cubic meter

Finish options:



LACQUERED MELAMINE TOPS FOR DESKS, MEETING & BOARDROOM TABLES

18mm scratch & abrasion resistant lacquered melamine faced chipboard (MFC) floating top. 10mm high chamfered edges finished with 1mm impact resistant matching Abs. Matt lacquers. Both ends feature 10mm high 5mm thick polished aluminium trims recessed into the desk surface. Panel density: 670/730 kgs per cubic meter

Finish options:



Production lead time: 5 weeks excluding delivery time. Apart from the shown finish options any RAL color can be made to order.

GLASS TOPS FOR DESKS, MEETING & BOARDROOM TABLES

10mm fingerprint-proof back painted tempered glass with a satin white finish. Floating top supported on stainless steel spacers. Polished edges and radius corners.

Finish options:



FRAMES



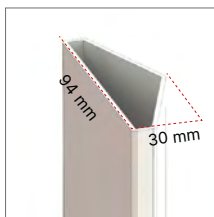
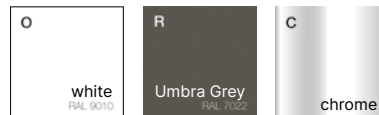
goalpost



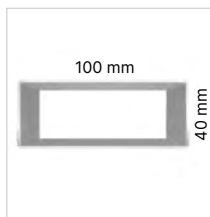
loop

Goalpost and Loop leg frame. Manufactured from epoxy powder coated or chromed steel.

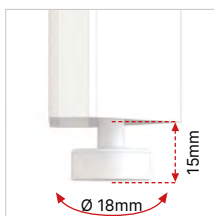
Finish options:



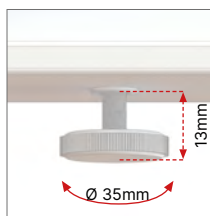
Legs made from 94×30mm pentagon-shaped 2mm steel tube.



Beams made from 100×40mm rectangular 1.5mm epoxy powder coated steel tube.



Goalpost leg frame: 0-15mm adjustable levelling feet made of polyethylene, 18mm diameter.



Loop leg frame: 0-13mm adjustable levelling feet made of polyethylene, 35mm diameter.

COMBINATION UNIT SUPPORTING RETURN TOP

Made of 18mm melamine faced chipboard (MFC) finished with 1mm matching straight impact resistant ABS edges. Spacious compartment at the back for power blocks and cables, access through a soft-close flap made from epoxy powder coated extruded aluminium, supplied with ABS end caps and brush strip. At the side of the user lower open shelf to place objects such as handbags, binders or a CPU.

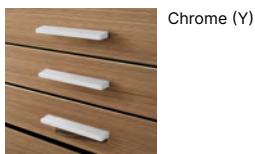
3-drawer supporting pedestal, epoxy powder coated metal drawer boxes in silver, full extension ball bearing runners and soft close for silent drawer closing, pen drawer with partial extension roller runners.

COMBINATION UNIT SUPPORTING RETURN TOP - MATT LACQUER

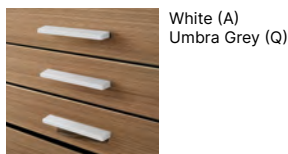
Made of 18mm lacquered melamine faced chipboard (MFC) finished with 1mm matching straight impact resistant ABS edges. Spacious compartment at the back for power blocks and cables, access through a soft-close flap made from epoxy powder coated extruded aluminium, supplied with ABS end caps and brush strip. At the side of the user lower open shelf to place objects such as handbags, binders or a CPU.

3-drawer supporting pedestal, epoxy powder coated metal drawer boxes in silver, full extension ball bearing runners and soft close for silent drawer closing, pen drawer with partial extension roller runners.

Standard metal handle
Zen



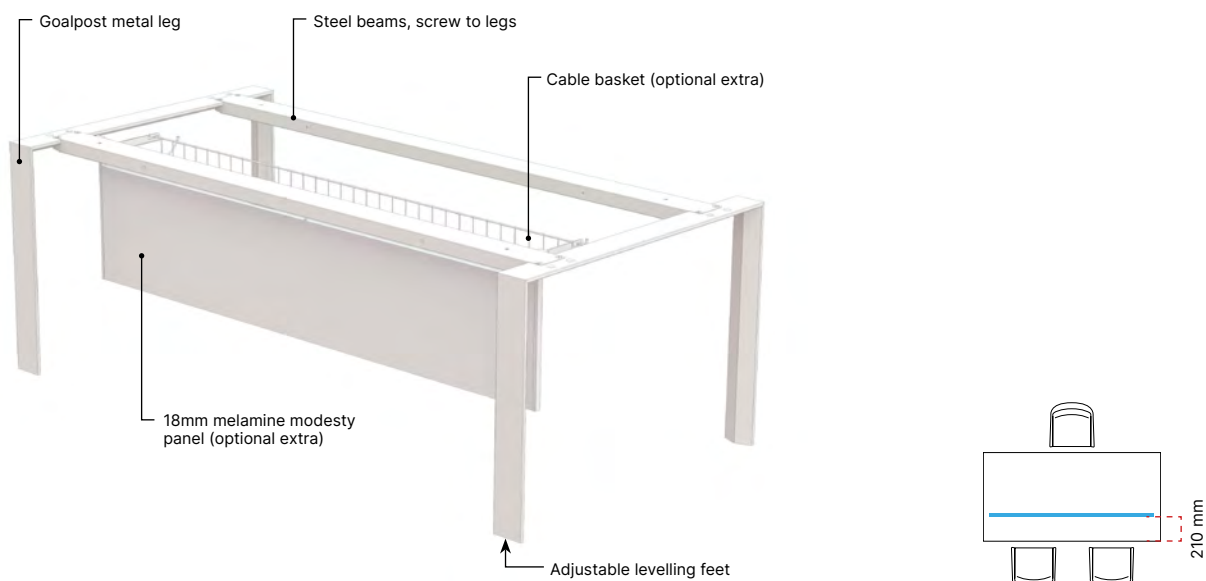
Optional metal handle
Zen



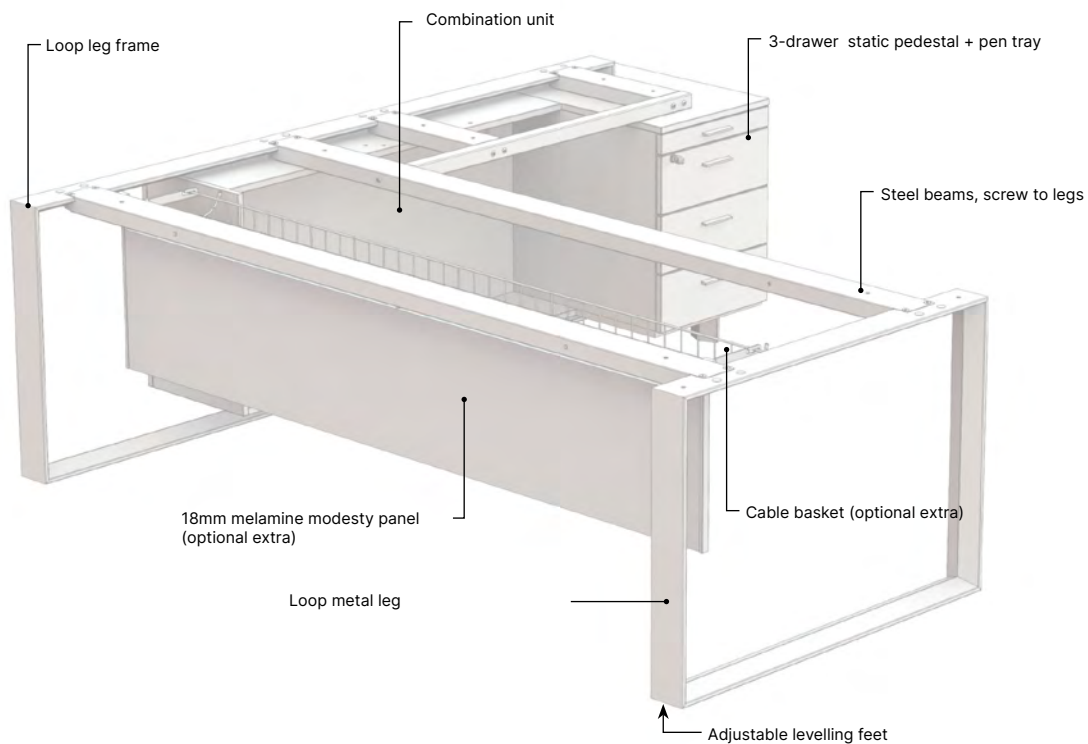
CABLE FLAP/BOX FOR MEETING/BOARDROOM TABLES

Flap opening from either side made from polished aluminium. Complete with matching ABS end caps and brush strip. Open ended cable box for power blocks.

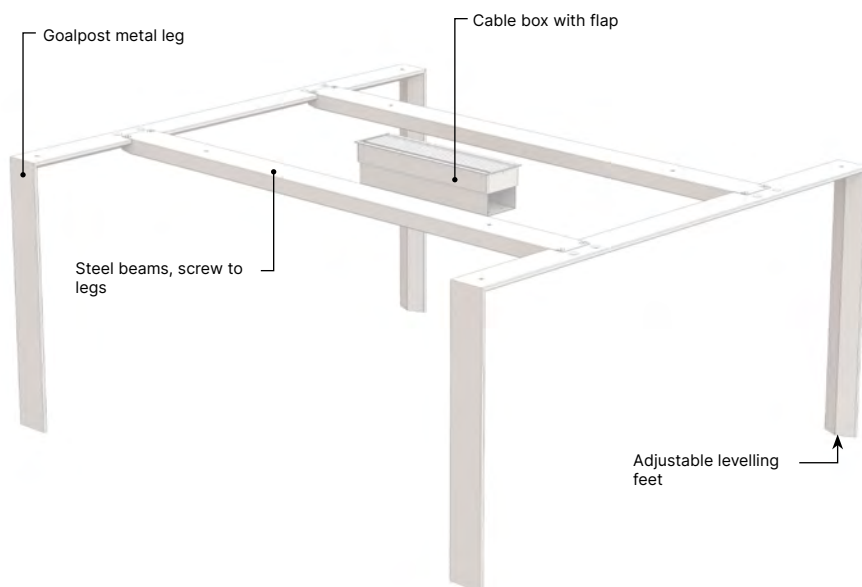
DESK - GOALPOST LEG FRAME



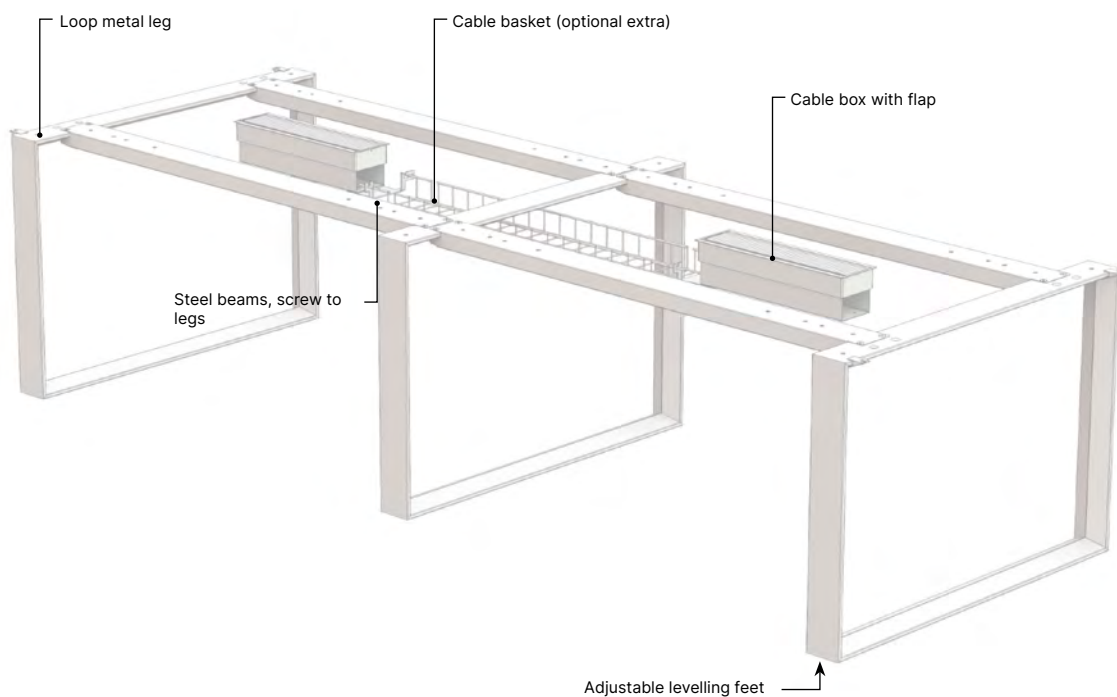
L-SHAPED DESK WITH LOOP LEG FRAME AND SUPPORTING COMBINATION UNIT



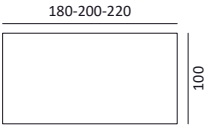
BOARDROOM TABLE CONFIGURATION - GOALPOST LEG



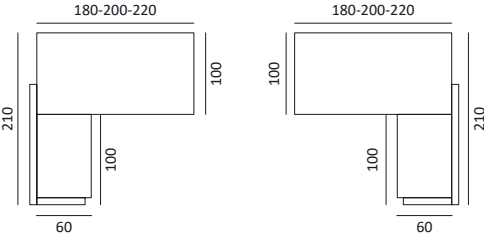
BOARDROOM TABLE CONFIGURATION - LOOP LEG



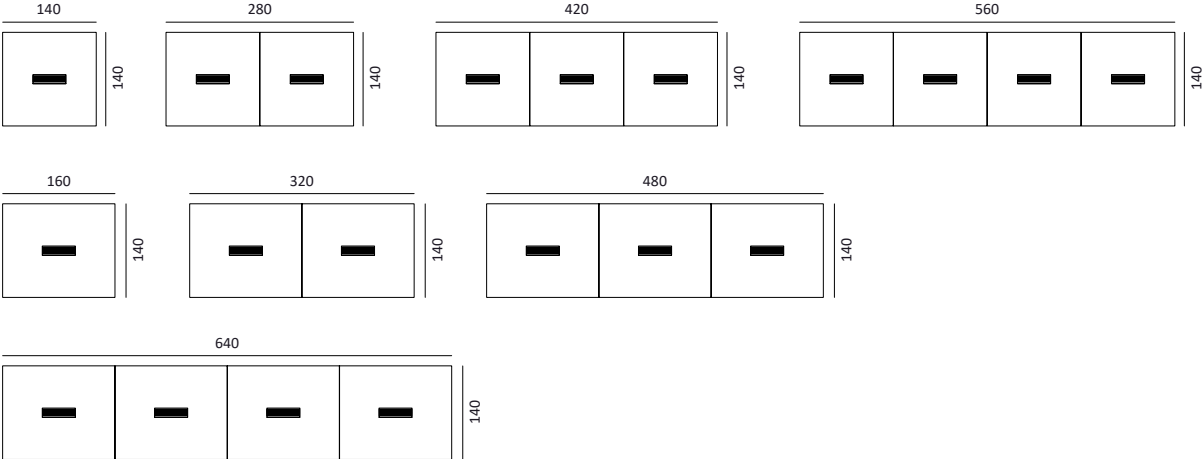
STRAIGHT DESK



L-SHAPED DESKS



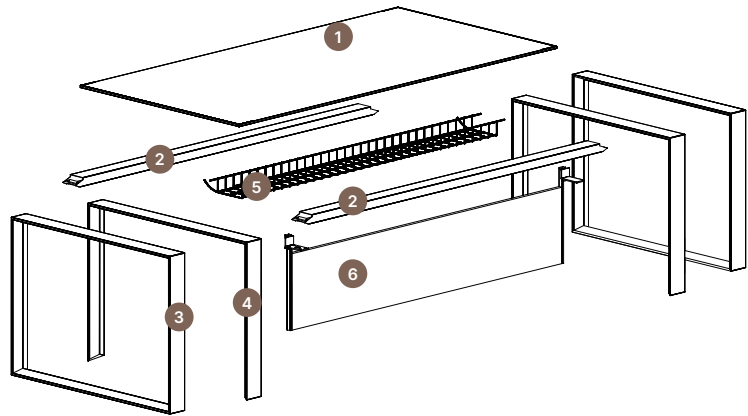
MEETING/BOARDROOM TABLES



DESKS

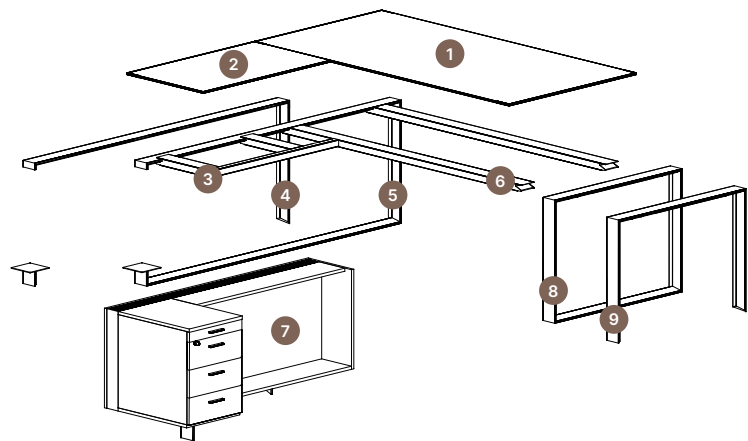
STRAIGHT DESK

- 1) 18mm melamine or 10mm glass top
- 2) Beams
- 3) Loop leg
- 4) Goalpost leg
- 5) Cable basket (optional extra)
- 6) 18mm melamine modesty panel (optional extra)



L-SHAPED DESK WITH SUPPORTING COMBINATION UNIT

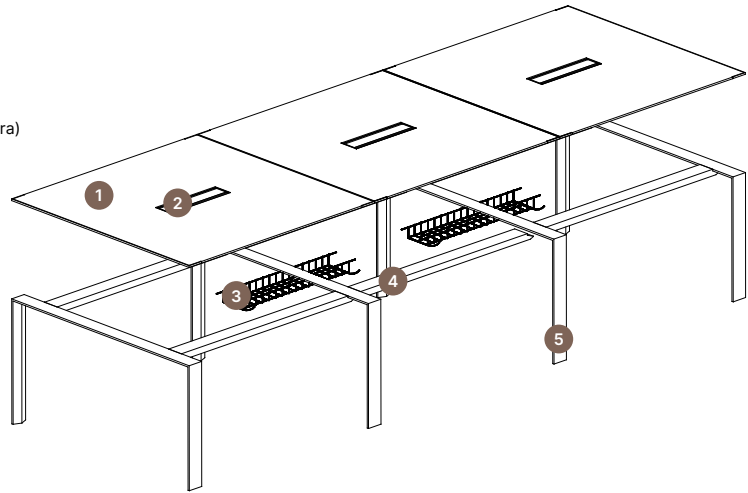
- 1) 18mm melamine or 10mm glass top
- 2) 18mm melamine or 10mm glass return top
- 3) Beams for return unit
- 4) Top and combination unit supporting Goalpost leg
- 5) Top and combination unit supporting Loop leg
- 6) Beams
- 7) Combination unit with static 3-drawer/pen drawer pedestal
- 8) Loop leg
- 9) Goalpost leg



MEETING/BOARDROOM TABLES

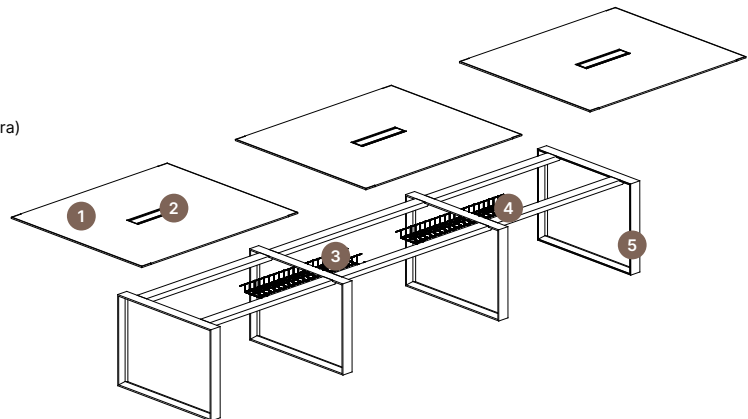
**MEETING/BOARDROOM TABLES -
GOALPOST LEG FRAME**

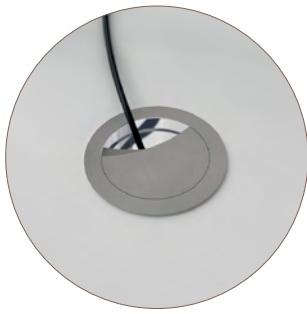
- 1) 18mm melamine or 10mm glass top
- 2) Cable box with flap
- 3) Cable basket linking two adjacent flaps/boxes (optional extra)
- 4) Beams
- 5) Goalpost leg



**MEETING/BOARDROOM TABLES -
LOOP LEG FRAME**

- 1) 18mm melamine or 10mm glass top
- 2) Cable box with flap
- 3) Cable basket linking two adjacent flaps/boxes (optional extra)
- 4) Beams
- 5) Loop leg

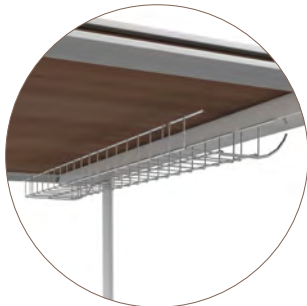




ø60mm Abs grommet



Cable flap with open ended cable box under



Cable basket for using on desks



Cable basket for two-section tables or longer tables



Melamine modesty panel



Lacquered melamine modesty panel



MATERIALS AND RECYCLABILITY

MFC panels used for X7 range tables are solely manufactured with 100% recycled wood and fully meet requisites of formaldehyde low emissions (CARB Quality Award CATAS Certificate). Rasins used for panels and melamines are free of SVHC substances (to be found in the ECHA list updated as of 12/01/2017).



STANDARDS

X7 range has passed the following tests, attested by **CATAS** analysis laboratory in San Giovanni al Natisone (UD).

- Tables and desks dimensions EN 527-1:2011
- Safety mechanical requirements EN 527-2:2002, par. 3
- Horizontal static load test EN 527-3:2003, par. 5.3
- Vertical static load test EN 527-3:2003, par. 5.2
- Horizontal fatigue test EN 527-3:2003, par. 5.4
- Vertical fatigue test EN 527-3:2003, par. 5.4
- Stability EN 527-3:2003, par. 5.1
- Drop test EN 527-3:2003, par. 5.6
- Worktops bend UNI 8594:2004
- Legs impact UNI 9086:1987



CERTIFICATES

Constantly receptive to market requirements, Quadrifoglio Sistemi d'Arredo pay special attention on quality and safety contents in order to provide high products and services. The Company has reached certifications UNI EN ISO 9001/2015, UNI EN ISO 14001/2015 and UNI EN ISO 45001/2018 to confirm his policy. Our products are certified and ensured by FSC™ and ECOLOGICAL PANEL.

COMPANY WITH
MANAGEMENT SYSTEM
CERTIFIED BY DNV
ISO 9001 • ISO 14001
ISO 45001



GREEN ENERGY

The Company had installed the photovoltaic system with 4.500 solar panels in a 7.350 m² surface that covers almost entirely the factory. The photovoltaic is able to produce 1Mw of a quiet green energy, that does not harm the environment and is waste-free. With his high production capacity the photovoltaic allows us to reduce emissions in the atmosphere of all those polluting substances and to those that contribute to the greenhouse effects. Consequently, such measures make us save every year 180 tonne of petrol oil, 440 tonne of CO₂, 514kg of sulphur dioxide, 448 kg of nitrogen oxide and 23kg of dust.



TRANSPORT

Packaging is reduced in order to decrease volumes. Goods collections are responsibly managed and organised with the aim of optimise transports, reducing atmosphere emissions.