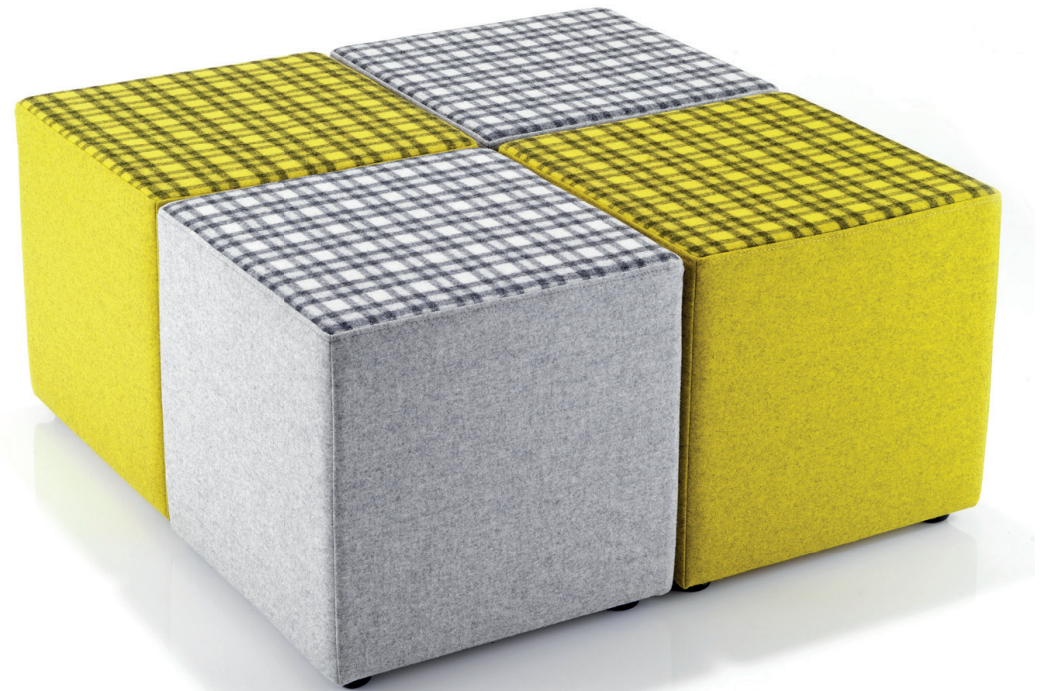




LINK

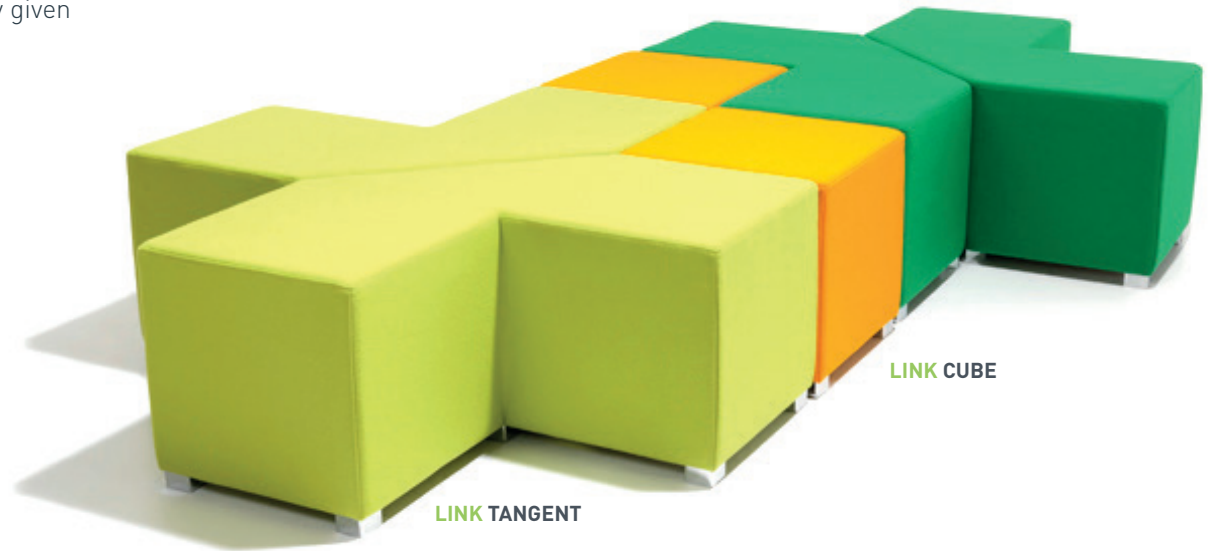


Link

A quality, modular system for conventional waiting areas and informal environments. Fully upholstered square, circular, angular and bench shape options enable the creation of dynamic and flexible layouts to suit any given area.

Features

- CMHR foam
- Hardwood frame



LINK QUADRANT



LINK RADIUS

LINK

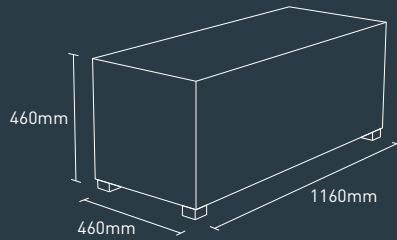


LINK BENCH

Bench with black nylon feet.

DIMENSIONS

WIDTH 1160mm
DEPTH 460mm
SEAT HEIGHT 460mm
OVERALL HEIGHT 460mm

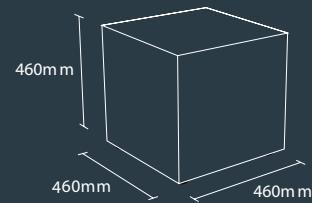


LINK CUBE

Cube with black nylon feet.

DIMENSIONS

WIDTH 460mm
DEPTH 460mm
SEAT HEIGHT 460mm
OVERALL HEIGHT 460mm

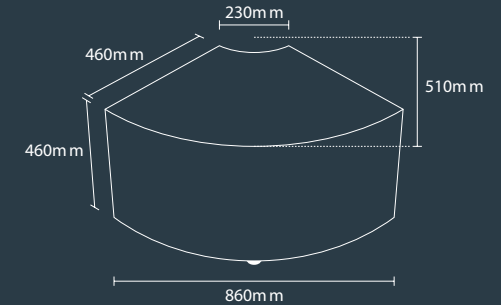


LINK QUADRANT

Quarter segment with black nylon feet.

DIMENSIONS

WIDTH 860mm
DEPTH 510mm
SEAT HEIGHT 460mm
OVERALL HEIGHT 460mm



LINK

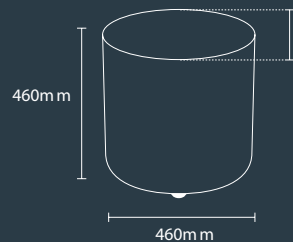


LINK RADIUS

Circular stool with black nylon feet.

DIMENSIONS

WIDTH 460mm
DEPTH 460mm
SEAT HEIGHT 460mm
OVERALL HEIGHT 460mm

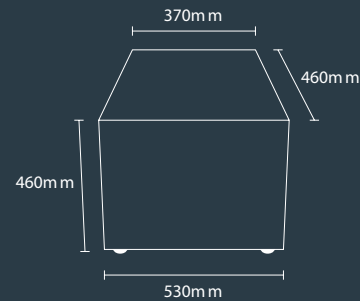


LINK SEGMENT

Angled segment with black nylon feet.

DIMENSIONS

WIDTH 530mm
DEPTH 460mm
SEAT HEIGHT 460mm
OVERALL HEIGHT 460mm

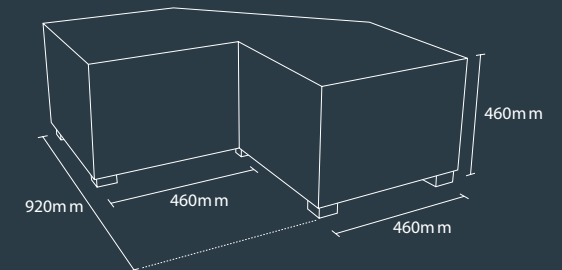


LINK TANGENT

Right angle bench with black nylon feet.

DIMENSIONS

WIDTH 920mm
DEPTH 920mm
SEAT HEIGHT 460mm
OVERALL HEIGHT 460mm





Parkside Mill, Walter Street, Blackburn, Lancashire BB1 1TL
Telephone: 01254 673 400 Fax: 01254 665 571
Email: sales@pulse-design.co.uk www.pulse-design.co.uk



Certificate Number 12877
ISO 9001